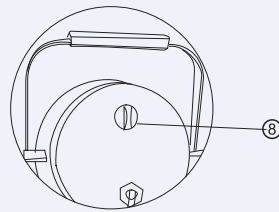
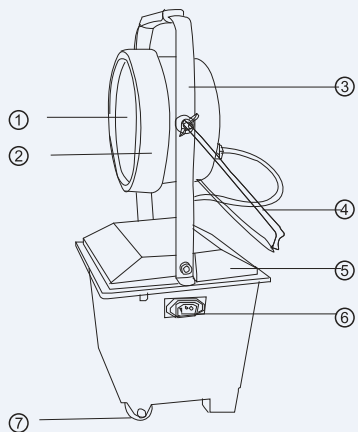


FW6100GF-J EXPLOSION-PROTECTED WORKLIGHT



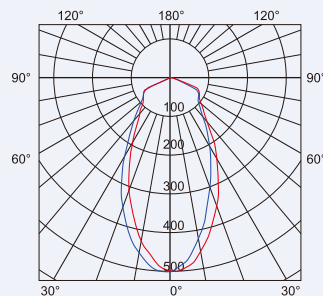
- Rechargeable
- Robust light alloy enclosure
- Transparent cover: tempered glass
- Easy to carry due to two wheels and a strap
- Adjustable light head (within 60°)

COMPONENTS



1. Lamp
2. Light head
3. Handle
4. Pulling belt
5. Battery box
6. Charging port
7. Wheel
8. Switch

POLAR CURVES



— C0° /180° — C90° /270°
cd / 1000lm

TECHNICAL SPECIFICATION

CERTIFICATION & APPROVALS

ATEX  II 2 G Ex de IIB T4 Gb LCIE 10 ATEX 3002X

GOST-K,CQST,GOST-R approved.

MATERIALS

Enclosure Aluminum alloy
Transparent cover Tempered glass

ELECTRICAL PARAMETER

Input 100V~240V AC 50Hz~60Hz
Output 24V DC
Ambient temperature -20 °C to +55 °C
Degree of protection IP65

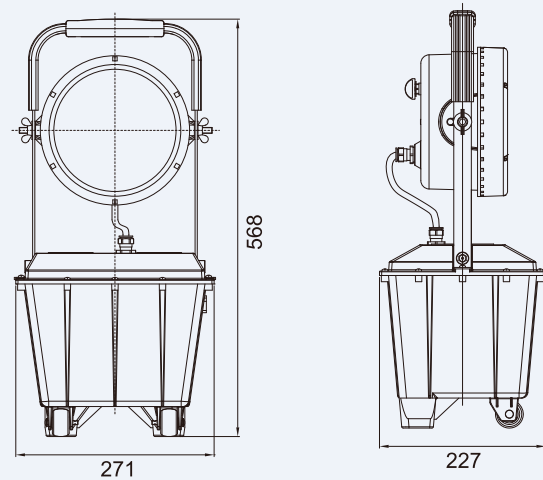
BATTERY

Type Lead-acid battery
Capacity 18 Ah
Battery life 500 cycles
Charging time 12 h(After normal discharging)
 ≥ 16 h(After completely discharging)
Duration ≥ 10 h

LAMP

Type MH
Luminous flux 3200 lm
Watts 35 W
Lamp life ≥ 10000 h

Dimensions in mm



CONFORMITY TO STANDARDS

IEC60079/IEC60598

SELECTION TABLE

Designation	Description	Weight
Lamp type	35W Metal halide lamp	19.00 kg
Charger	European standard plug	0.51 kg
	British standard plug	0.55 kg
	Chinese standard plug	0.51 kg