

## BPC8766

### Explosion-protected LED Pendant Light Fitting



Coding: Ex d e mb II C T5/T6 Gb

Ex tD A21 IP65 T95°C/T80°C

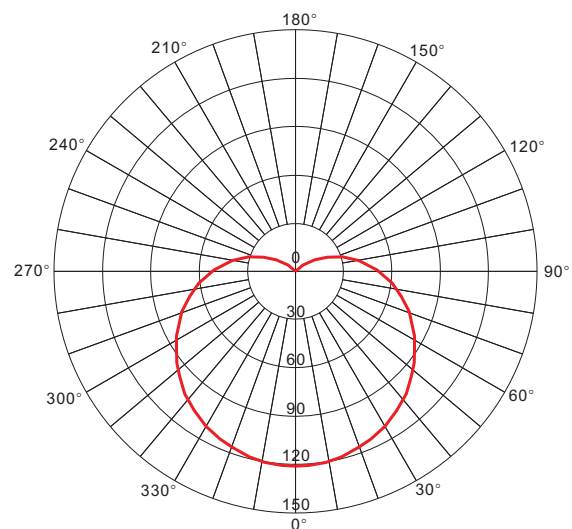
#### ■ Applications

- Suitable for illumination of oil refining and chemical facility platforms, corridors and other hazardous locations.

#### ■ Features

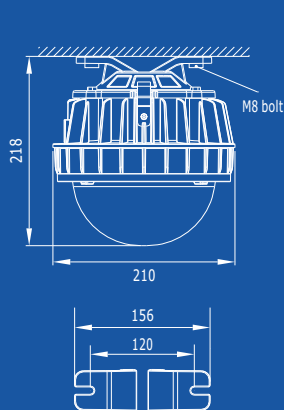
- It is designed for use in hazardous locations (Zone 1 and Zone 2, explosion group: IIC).
- Degree of protection is IP66, suitable for indoor and outdoor location applications.
- Round type optical distributions offer large lighting area and angle, uniform light distribution and no dead angle.
- Anti-glare transparent cover provides glare-free and soft illumination.
- Unique design of driver circuit fulfills the requirements of explosion protection, water resistance, heat dissipation and high reliability.
- It is suitable for pole mounting and ceiling mounting.

#### ■ Photometric data

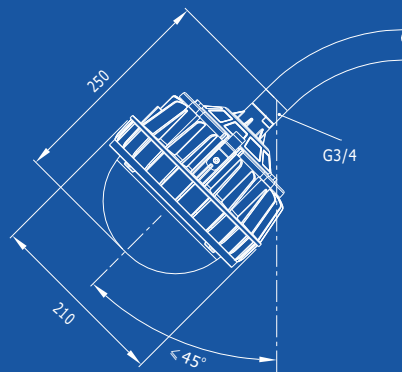


cd / 1000 lm Ratio of distance to height: 1.36

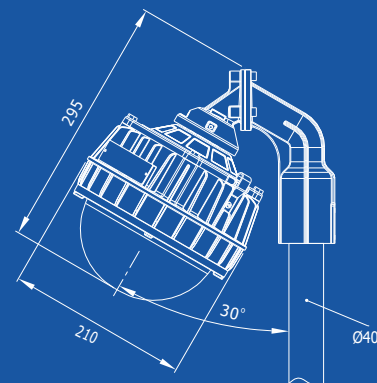
## ■ Mount style (Unit: mm)



Ceiling mount



Pole mount (Type A)



Pole mount (Type B)

## ■ Technical data

### Model: BPC8766

1. Rated voltage: 220 V / 230 V / 240 V AC 50 Hz / 60 Hz
2. Light source (LED)  
Power: 30 W / 50 W  
Luminous flux: 3300 lm / 5500 lm  
Life:  $\geq 50000$  h
3. Weight: 3.7 kg (ceiling mount) / 3.7 kg (Pole mount type A)  
/ 4.2 kg (Pole mount type B)
4. Outside diameter of cable:  $\varnothing 8$  mm -  $\varnothing 14$  mm
5. Dimensions (outside diameter  $\times$  height):  $\varnothing 210$  mm  $\times$  295 mm
6. Ambient temperature:  $-20$  °C -  $+40$  °C
7. Degree of protection: IP 65
8. Corrosion-resistant class: WF2