

BPC8765

Explosion-protected LED Pendant Light Fitting



Coding: Ex demb ICT6 Gb

DIP A21 T_A,T₆

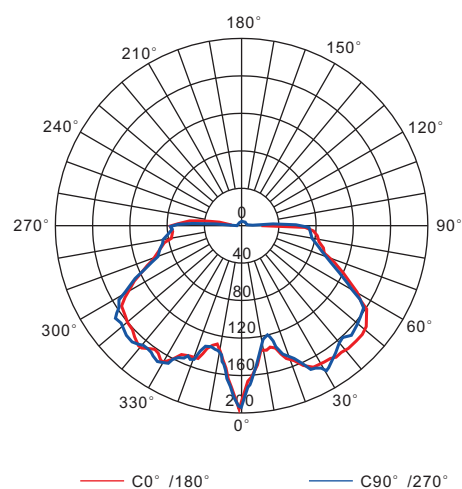
■ Applications

- Suitable for illumination of hazardous locations in various industries.

■ Features

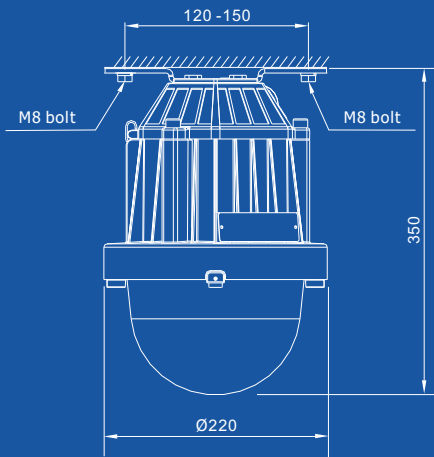
- It is designed for use in hazardous locations (explosion group: IIC).
- Degree of protection is IP66, suitable for indoor and outdoor location applications.
- Round type optical distributions offer large lighting area and angle, uniform light distribution and no dead angle.
- Unique design of driver circuit fulfills the requirements of explosion protection, water resistance, heat dissipation and high reliability.
- LED light source features energy saving and long service life.
- It also features easy installation and wiring works.
- It is suitable for pole mounting and ceiling mounting.

■ Photometric data

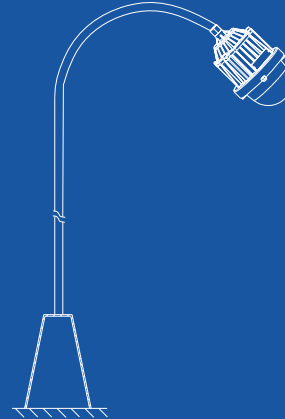


cd / 1000 lm Ratio of distance to height: 1.38

■ Mount style (Unit: mm)



Ceiling mount



Pole mount

■ Technical data

Model: BPC8765

- | | |
|---|--|
| <ol style="list-style-type: none"> 1. Rated voltage: 220 V / 230 V / 240 V AC 50 Hz / 60 Hz 2. Light source (LED)
Power: 36 W / 50 W
Luminous flux: 3960 lm / 5500 lm
Life: 100000 h 3. Ambient temperature: -20 °C - +40 °C 4. Outside diameter of cable: Ø8 mm - Ø14 mm | <ol style="list-style-type: none"> 5. Dimensions (outside diameter × length): Ø200 mm × 350 mm 6. Dimensions of packing carton: 400 mm × 312 mm × 290 mm 7. Weight
Net weight (ceiling mount/pole mount): 4.9 kg / 4.6 kg
Gross weight (ceiling mount/pole mount): 5.8 kg / 5.5 kg 8. Degree of protection: IP 66 9. Corrosion-resistant class: WF2 |
|---|--|

