

## BPC8760

### Explosion-protected Pendant Light Fitting



Coding:  Ex de II B T6

Explosion protection conformity certificate No.: NLE09481

#### ■ Applications

- Suitable for illumination of hazardous locations in all industrial areas. Ideal for illuminating indoor and outdoor locations and large facilities.

#### ■ Features

##### Safe working environments

- Excellent explosion protection ensures safe operation in hazardous locations.
- Degree of protection is IP66, providing excellent water resistance and fierce waves resistance.
- Robust aluminum alloy made housing and optimum design of structure provide strike resistance and impact resistance.

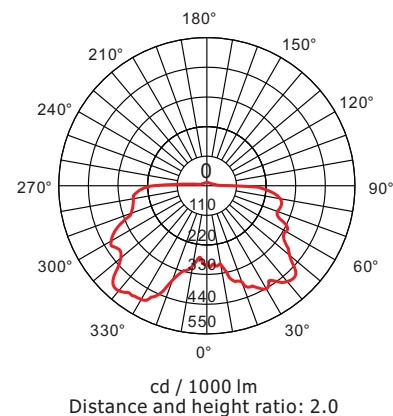
##### Energy efficient

- Optimum design of electrical system ensures 85% of electrical efficiency and 0.98 of power factor.
- LED light source offers high luminous efficacy up to 105 lm/W. Unique design of heat dissipation ensures that temperature rise of LED is lower than 40°C, allowing for long service life and high lumen maintenance.
- Glass cover with prismatic patterns eliminate unwanted glare, suitable for illumination of all types of facilities.

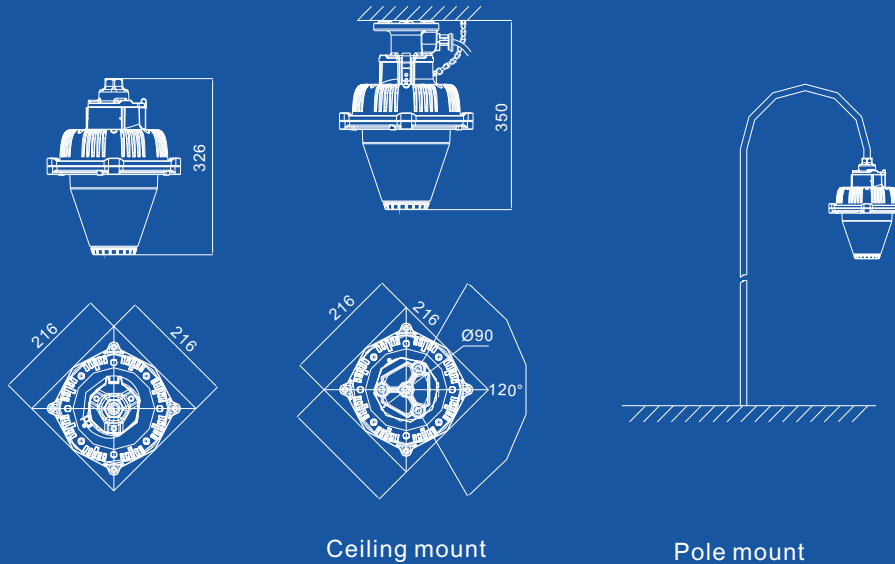
##### Reduced maintenance work

- Separate wiring chamber is easy for carrying out installation and maintenance works.
- It is suitable for pole mounting, ceiling mounting and wall mounting.
- LED features high luminous efficacy, free from maintenance and long service life up to 100000 hours. No maintenance work is required during service life period.
- Corrosion-resistant class is WF2, suitable for salt atmosphere applications.
- All tests are carried out in accordance with quality control system of national army standard, resulting low failure rate.

#### ■ Photometric data



## ■ Mount style (Unit: mm)



Ceiling mount

Pole mount

## ■ Technical data

### Model: BPC8760

1. Rated voltage: 90 V - 260 V 50 Hz / 60 Hz
2. Light source (LED)
  - Rated power: 18 W / 45 W
  - Luminous flux: 1980 lm / 4950 lm
  - Lamp life: 100000 h
3. Cable entry: Ø8 mm - Ø10 mm
  - Ø10 mm - Ø12 mm
  - Ø12 mm - Ø14 mm
4. Dimensions: 216 mm × 216 mm × 326 mm
5. Weight: 6 kg
6. Degree of protection: IP 66
7. Corrosion-resistant class: WF2

