
Specifications

Product type: LED Explosion Proof Lighting Compact

Product model: ATEX Ex Compact

Document: EX-PAN-1011



Product Features

- High quality aluminum housing & impact resistant
- Frosted PC cover
- Minimum glare
- Famous brand driver
- Over-temperature protection
- Up to 85% energy savings
- Several mounting options and easy installation

Application

- Applies to explosive gas and combustible dust areas in the next industries: petrroleum, chemical, metallurgical, power plants, etc
- Applies to hazardous locations of zone 1 and 2 with explosive gas
- Applies to hazardous locations of zone 1 and 2 with combustible gas

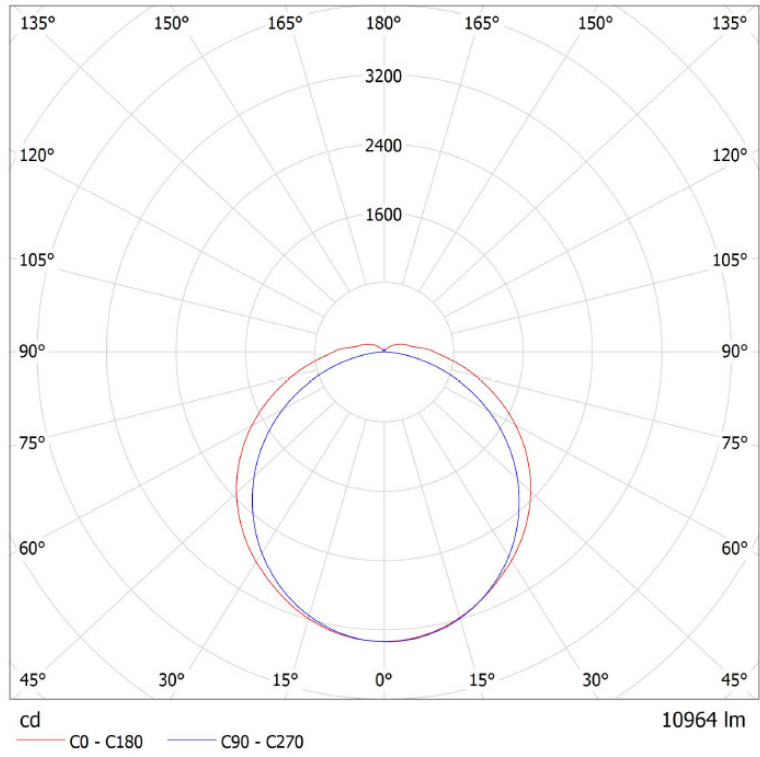


Specifications ATEX Ex Luminaires

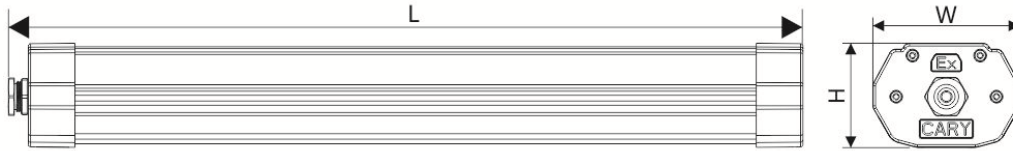
	18W	24W	36W	50W	60W	72W	80W
You need another wattage?	Please let us know: info@ebdwz.nl						
Voltage Rating	100-277 VAC						
Voltage Frequency	50-60 Hz						
Power Factor	>0.95						
THD	<15%						
Light Source	SANAN SMD LED Chip						
LED Lifespan	100.000 hours						
LED Luminous Efficacy	≥190 lm per watt						
LED Luminous Flux	3.420 lm	4.560 lm	6.840 lm	9.500 lm	11.400 lm	13,300 lm	15.200 lm
Lamp Luminous Efficacy	105 lm per watt						
Lamp Luminous Flux	1.890 lm	2.520 lm	3.780 lm	5.250 lm	6.300 lm	7.350 lm	8.400 lm
Lumen Maintenance	6.000h, >95%						
Material	Aluminum 6063 housing & frosted PC cover						
Lamp Housing Color	Yellow or Silver Grey						
IP Rating	IP66						
CCT	4.000K/ 5.000K/ 6.000K						
CRI	>70						
Beam Angle	180°						
Driver Brand	SOSEN or Meanwell HLG						
Cable Size	Suitable for Φ7-14mm, Standard: Φ10 mm 3×2.5 mm ²						
Cable Gland	M25 or NPT3/4						
EX mark	II 2 G Ex emb IIC T6 Gb II 2 D Ex tb IIIC T80° Db IP66						
Ambient Environment	Temperature:-40°C / +55°C; Humidity:10%-90% rh						
Storage Temperature	-40°C / +60°C						
Dimensions	381X126X88 mm	681X126X88 mm	1281X126X88 mm				
Net Weight	2.8 KGS	4.3 KGS	7.0 KGS			7.2 KGS	
Certificate	Yes (shown on demand)						



Distribution Curve



Dimensions

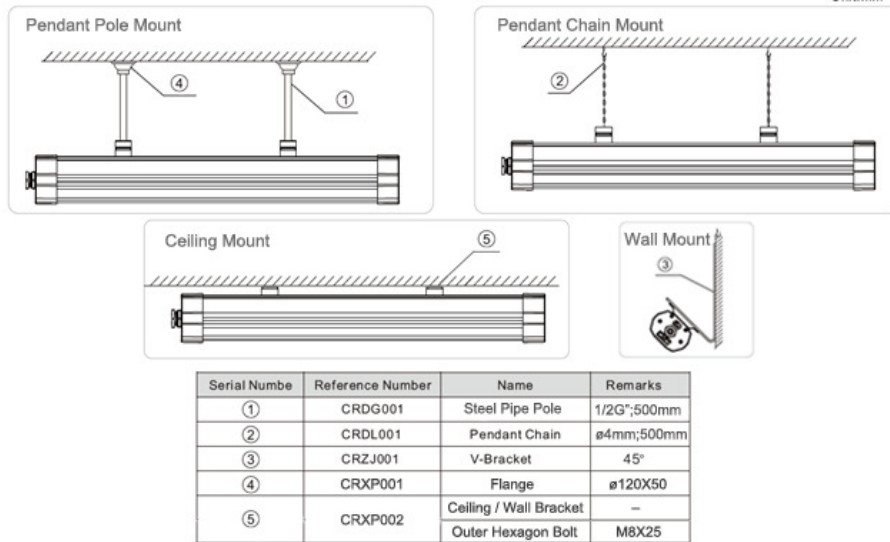


Model	Power (W)	L (mm)	W (mm)	H (mm)	Weight (Kg)
ATEX Ex Compact	18	381	126	88	2.8
ATEX Ex Compact	24	381	126	88	2.8
ATEX Ex Compact	36	681	126	88	4.3
ATEX Ex Compact	50	1281	126	88	7.0
ATEX Ex Compact	60	1281	126	88	7.0
ATEX Ex Compact	72	1281	126	88	7.2
ATEX Ex Compact	80	1281	126	88	7.2

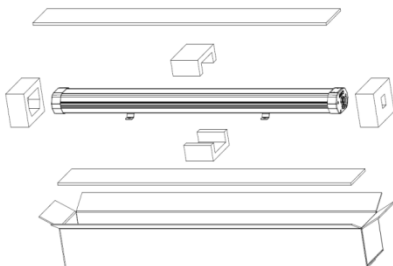


Installation

Ceiling mount and wall mount are standard



Package



Power(W)	Outer Box (mm)	Qty. Per Box	Net weight (kg)	Gross weight (kg)
18/24	440 x 190 x 170	1	2.8	3.3
36	740 x 190 x 170	1	4.3	5.0
50/60	1.340 x 190 x 170	1	7.0	8.0
72/80	1.340 x 190 x 170	1	7.2	8.2

